

# Stainless-Steel Precision Regulators & Filter/Regulators

## Features

- Stainless Steel construction is ideal for corrosive environments and sour gas.
- Excellent repeatability.
- Tapped vent for exhaust gas capture.
- Once set to a desired pressure, the ARO 316 stainless steel regulator will permanently maintain their settings through the use of a convoluted diaphragm. This diaphragm provides constant adjustment to downstream pressure drop, and downstream pressure increase.
- 1/4" and 3/8" NPT
- Panel Mount Nut Standard

This precision regulator line is designed for service with a wide variety of corrosive gases and environments. Its corrosive resistant materials are compatible with sour gas and for use in off shore environments. Applications include: petrochemical processing, chemical plants, food processing and packaging, and paper/pulp mills. The regulator operates in pressure ranges up to 150 psig (10.3 bar). The filter on the filter/regulator unit has a built-in dripwell which traps water, oil and other contaminants. The contaminants are easily flushed out via a convenient manual drain. The 5 micron filter element is made of 316 stainless and is easily removed for cleaning.

## Ordering Information

Model No.	Description	Pressure Range
<b>PRSS21-200</b>	1/4" NPT Regulator	0-60 PSIG
<b>PRSS21-400</b>	1/4" NPT Regulator	0-30 PSIG
<b>PRSS21-500</b>	1/4" NPT Regulator	0-100 PSIG
<b>PRSS21-600</b>	1/4" NPT Regulator	2-150 PSIG
<b>PRSS31-200</b>	3/8" NPT Regulator	0-60 PSIG
<b>PRSS31-400</b>	3/8" NPT Regulator	0-30 PSIG
<b>PRSS31-500</b>	3/8" NPT Regulator	0-100 PSIG
<b>PRSS31-600</b>	3/8" NPT Regulator	2-150 PSIG
<b>PFRS21-200</b>	1/4" NPT Filter/Regulator	0-60 PSIG
<b>PFRS21-400</b>	1/4" NPT Filter/Regulator	0-30 PSIG
<b>PFRS21-500</b>	1/4" NPT Filter/Regulator	0-100 PSIG
<b>PFRS21-600</b>	1/4" NPT Filter/Regulator	2-150 PSIG
<b>PFRS31-200</b>	3/8" NPT Filter/Regulator	0-60 PSIG
<b>PFRS31-400</b>	3/8" NPT Filter/Regulator	0-30 PSIG
<b>PFRS31-500</b>	3/8" NPT Filter/Regulator	0-100 PSIG
<b>PFRS31-600</b>	3/8" NPT Filter/Regulator	2-150 PSIG
<b>104267</b>	316 Stainless Steel Mounting Bracket	
<b>104268</b>	5 Micron Filter Element	
<b>104269</b>	40 Micron Filter Element	



Regulator



Filter/Regulator

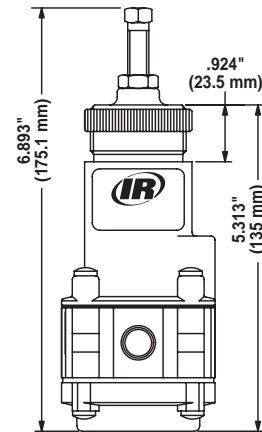
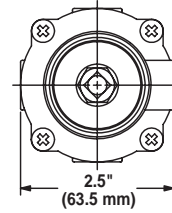
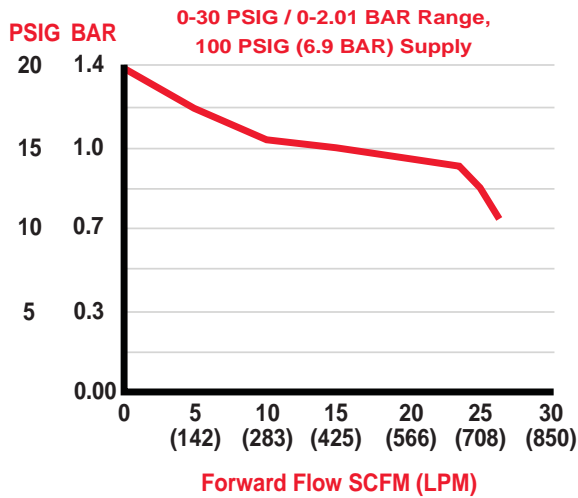
# Performance Specifications

## Performance Specifications

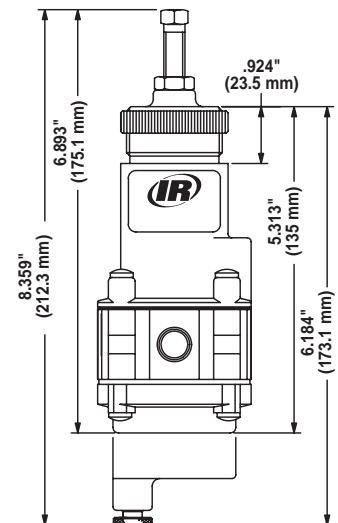
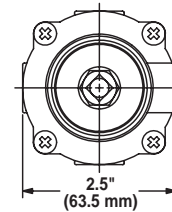
### PFRSX1-X00 / PRSSX1-XOO

<b>Materials of Construction:</b>	316 Stainless
<b>Seals:</b>	Fluorocarbon
<b>Filter Elements:</b>	5 Micron (for use with PFRSX1-X00 units only)
<b>Temperature Range:</b>	-20° to 180° F (-29° to 82° C)
<b>Max. Pressure:</b>	250 PSIG (17.2 bar)
<b>Media:</b>	Compressed Air
<b>Gauge Ports:</b>	1/4-18 NPTF
<b>Flow @ 100 PSIG (6.9 bar)</b>	
<b>Supply 20 PSIG (1.4 bar)</b>	
<b>Outlet:</b>	20 SCFM (566 LPM)

### Regulated Pressure VS. Flow



Regulator



Filter/Regulator