

Performance Specifications

1/2", 3/4" & 1" Ports

Max. Inlet Pressure:	200 PSIG (13.8 bar)
Operating Temperature Range:	0° to 125° F (-18° to 52° C)
Filter Element:	40 Micron
Bowl:	Polycarbonate with metal guard
Lubricator:	Combination Fog-Type / Drop-Type



28367

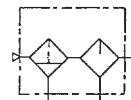
Ordering

PORT SIZE NPT	MODEL	WEIGHT LBS. (kg)	FILTER	LUBRICATOR	PIPE NIPPLE
------------------	-------	---------------------	--------	------------	----------------

Select the basic model number which represents the port size desired. If other options are desired, order each component separately.

1/2"	28342	6.61 (3)	25341-020	26341-020	Y27-54-C
3/4"	28352	6.52 (2.96)	25351-020	26351-020	Y27-55-C
1"	28362	6.13 (2.78)	25361-020	26361-020	Y27-56-C

GRAPHIC SYMBOL

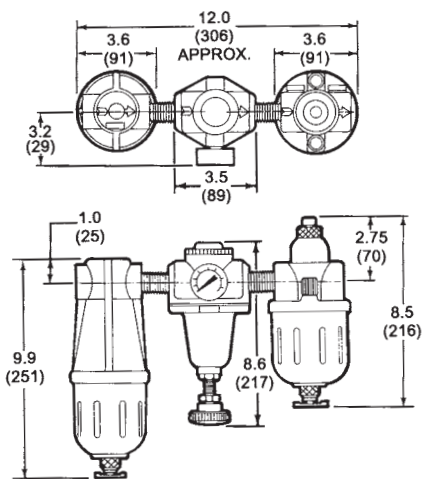


NOTE: Shipped unassembled. For assembled unit, change the last digit from 2 to 7. Example: 28347

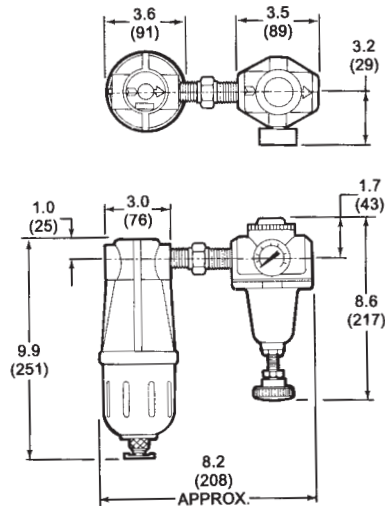
Dimensional Data

Heavy Duty Series

Filter-Regulator-Lubricator



Filter-Regulator



Filter-Lubricator

