

Features

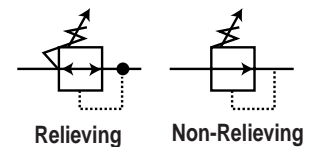
Miniature Series (1/8" and 1/4" Port Sizes)

FOR ACCURATE, LOW-COST CONTROL OF AIR AND WATER FLOW

- **Corrosion Protection** - Brass body with internal stainless steel valve spring provides corrosion protection against regulated fluids.
- **Accurate, Reliable Control** - Non-rising, locking adjustment knob maintains the desired setting.
- **Mounting Flexibility** - Panel mounting nut is part of the regulator and is included at no additional cost. Industry standard 1-3/16" - 18 threaded spring housing enables easy panel mounting (max. panel thickness is 3/16"). Available mounting bracket and stud mount provide a choice of wall mountings. Compact size is ideal for installations where space is limited.
- **Durability** - Brass construction makes this regulator the perfect choice for your most rugged and demanding air and water applications.



Graphic Symbols



Applications

- Medical and Dental Equipment
- Beverage Dispensing Equipment
- Lawn Irrigation Systems
- Water Purification Systems
- Car Wash Equipment
- Miniature Pneumatic Plumbing Circuits

Performance Specifications

Max. Inlet Press.:	250 PSIG (17 bar)
Max. Adjusted Press.:	125 PSIG (8.6 bar)
Operating Temp.:	0° to 150°F (-18° to 65°C)
Weight:	1/8" = .75 lbs. (345 g) 1/4" = .67 lbs. (306 g)
Air Flow*:	1/8" = 13 SCFM 1/4" = 13 SCFM
Water Flow**:	1/8" = 1.75 GPM 1/4" = 2.0 GPM

* Air flow is at 125 PSIG (8.6 bar) inlet and 100 PSIG (6.9 bar outlet).

** Water flow is at 60 PSIG (4.1 bar) inlet and 40 PSIG (2.8 bar) outlet.

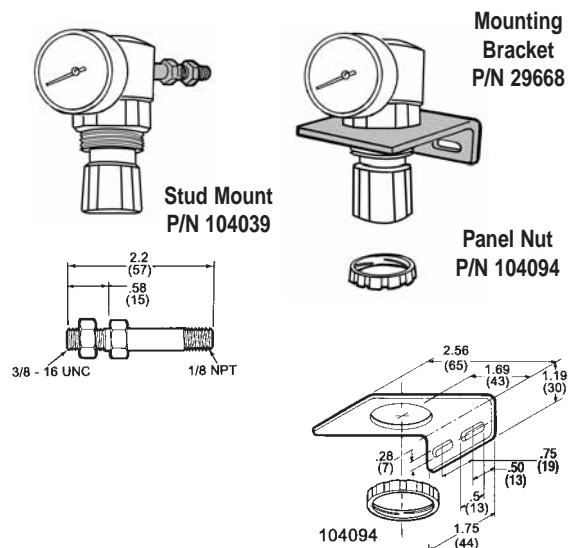
WARNING: These regulators are designed for use in industrial compressed air or water systems only. Never use these regulators where pressure or temperature can exceed the rated operating conditions. See SPECIFICATIONS.

Accessories

Part Number	Description
29850	*Gauge 0-160 PSIG (0-11 bar)
29668	Mounting Bracket
104094	Panel Mounting Nut (Included with regulator)
104039	Stud Mounting

*Gauge has polycarbonate lens.

Dimensional Data



Ordering

Model Number	Port Size NPT	Gauge Port NPT	Type
B27122-020	1/4"	1/8"	Non-Relieving
B27112-000	1/8"	1/8"	Relieving
B27122-000	1/4"	1/8"	Relieving
B27122-100	1/4"	1/8"	Relieving 0-50 psi