

# Features

## 1/4", 3/8" & 1/2" Ports

These high efficiency filters are designed for paint spraying, instrumentation controls, and other compressed air applications where the delivered air must be free of oil and fine particles. These filters are ideal for OEM and MRO applications.

- One-piece coalescing filter element removes 99.9% of oil aerosols and particles down to .3 micron.
- Units have threaded ports for direct connection to pipe plumbing.
- Warning and technical information is printed in English, Spanish, French and German on standard units.
- Bayonet bowl attachment provides easy bowl removal and filter element replacement.
- Optional filter service life indicator shows when element needs changing. See page 33.

# Ordering

From the chart below, select the model number associated with port size and bowl/drain option required. If other options are needed, use menu below.

Specifications, dimensions and accessories same as standard filter, see pages 30 and 31.

| PORT SIZE<br>NPT                                | FLOW<br>scfm (dm <sup>3</sup> /s) | MODEL             | BOWL SIZE<br>oz. (ml) | WEIGHT<br>lbs. (kg) |
|---|-----------------------------------|-------------------|-----------------------|---------------------|
| <b>push drain • metal bowl with sight glass</b> |                                   |                   |                       |                     |
| 1/4"  | 40 (17)                           | <b>F25221-310</b> | 6.0 (177)             | 1.48 (.68)          |
| 3/8"  | 51 (24)                           | <b>F25231-310</b> | 6.0 (177)             | 1.46 (.66)          |
| 1/2"  | 53 (25)                           | <b>F25241-310</b> | 6.0 (177)             | 1.43 (.65)          |

|  |         |                   |           |            |
|--|---------|-------------------|-----------|------------|
| <b>push drain • polycarb. bowl with bowl guard</b> |         |                   |           |            |
| 1/4"   | 40 (17) | <b>F25221-300</b> | 6.0 (177) | 1.48 (.68) |
| 3/8"   | 51 (24) | <b>F25231-300</b> | 6.0 (177) | 1.46 (.66) |
| 1/2"   | 53 (25) | <b>F25241-300</b> | 6.0 (177) | 1.43 (.65) |

|  |         |                   |           |            |
|--|---------|-------------------|-----------|------------|
| <b>automatic drain • metal bowl with sight glass</b> |         |                   |           |            |
| 1/4"   | 40 (17) | <b>F25221-311</b> | 6.0 (177) | 1.48 (.68) |
| 3/8"   | 51 (24) | <b>F25231-311</b> | 6.0 (177) | 1.46 (.66) |
| 1/2"   | 53 (25) | <b>F25241-311</b> | 6.0 (177) | 1.43 (.65) |

|  |         |                   |           |            |
|--|---------|-------------------|-----------|------------|
| <b>automatic drain • polycarb bowl with bowl guard</b> |         |                   |           |            |
| 1/4"   | 40 (17) | <b>F25221-301</b> | 6.0 (177) | 1.48 (.68) |
| 3/8"   | 51 (24) | <b>F25231-301</b> | 6.0 (177) | 1.46 (.66) |
| 1/2"   | 53 (25) | <b>F25241-301</b> | 6.0 (177) | 1.43 (.65) |

## Additional Models Available

**NOTE:** Not all menu combinations are valid. See price book to verify.

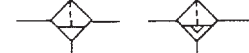
| Base Model           | Filter Service Indicator | Bowl Option | Drain Option |
|----------------------|--------------------------|-------------|--------------|
| 1/4" F2522 X - 3 X X | X                        | X           | X            |
| 3/8" F2523 X - 3 X X | X                        | X           | X            |
| 1/2" F2524 X - 3 X X | X                        | X           | X            |

Select the basic model number associated with the port size desired. From the table below, select the number representing the filter options required. For BSP threads, add -B to the end of model number.

|                            |                            |                       |
|----------------------------|----------------------------|-----------------------|
| 1 = None                   | 0 = Polycarbonate w/ guard | 0 = Manual Push Drain |
| 2 = With Service Indicator | 1 = Metal w/sight glass    | 1 = Automatic Drain   |
|                            | 2 = Metal                  |                       |



GRAPHIC SYMBOLS



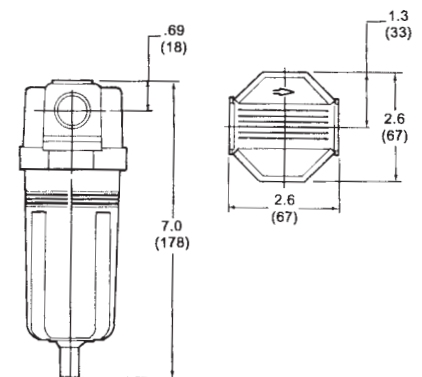
Pre-Filters are essential for long coalescing life.

### Recommended Installation

Use in conjunction with an upstream filter. Filter units should also be installed upstream of the regulator or lubricator to protect them from contamination.



STANDARD PRE-FILTER COALESCING FILTER

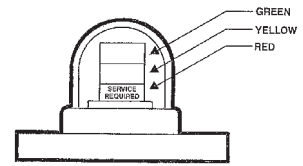


# Features

## 1/4", 3/8" & 1/2" Ports

Units equipped with the Filter Service Indicator are designed to indicate when the filter element is clogged and needs to be serviced. The highly visible rising collar is seen from any angle. Pressure is monitored at two different points in a system (inlet and outlet) and acts on opposite sides of a diaphragm sensor. A change in pressure (pressure drop) causes the collar to rise, indicating element is clogged.

- Pop-up three-color indicator provides visual monitoring of filter element efficiency.
- Service life indicator changes from green to red when element is clogged and needs changing.
- The rising collar is visible from 360°.



# Ordering

From the chart below, select the model number associated with port size and bowl and drain option required. If other options are needed, refer to menu on page 31. Specifications, options and accessories same as standard filter, see pages 30 and 31.

| PORT SIZE<br>NPT | FLOW |                      | MODEL WITH<br>STANDARD ELEMENT | FLOW |                    | MODEL WITH<br>COALESCING ELEMENT |
|------------------|------|----------------------|--------------------------------|------|--------------------|----------------------------------|
|                  | scfm | (dm <sup>3</sup> /s) |                                | scfm | dm <sup>3</sup> /s |                                  |

### push drain • metal bowl with sight glass

|      |     |      |            |    |      |            |
|------|-----|------|------------|----|------|------------|
| 1/4" | 54  | (25) | F25222-110 |    |      |            |
| 3/8" | 100 | (47) | F25232-110 | 51 | (24) | F25232-310 |
| 1/2" | 122 | (58) | F25242-110 | 53 | (25) | F25242-310 |

### push drain • polycarb. bowl with bowl guard

|      |     |      |            |    |      |            |
|------|-----|------|------------|----|------|------------|
| 1/4" | 54  | (25) | F25222-100 | 40 | (17) | F25222-300 |
| 3/8" | 100 | (47) | F25232-100 |    |      |            |
| 1/2" | 122 | (58) | F25242-100 | 53 | (25) | F25242-300 |

### automatic drain • metal bowl with sight glass

|      |     |      |            |    |      |            |
|------|-----|------|------------|----|------|------------|
| 3/8" | 100 | (47) | F25232-111 |    |      |            |
| 1/2" | 122 | (58) | F25242-111 | 53 | (25) | F25242-311 |

### automatic drain • polycarb bowl with bowl guard

|      |     |      |            |    |      |            |
|------|-----|------|------------|----|------|------------|
| 3/8" | 100 | (47) | F25232-101 |    |      |            |
| 1/2" | 122 | (58) | F25242-101 | 53 | (25) | F25242-301 |



F25242-300

# Accessories

## Coalescing Filter Accessories

|        |  |
|--------|--|
| 104068 | Automatic Drain for filter bowl.                             |
| 104107 | Mounting Bracket (for use with pipe nipples)                 |
| 104149 | Push Drain Kit for filter bowl                               |
| 104176 | Filter Service Kit (Includes O-ring and Manual Drain)        |
| 104182 | Sight Glass Service Kit (Includes 2 O-rings and Sight glass) |
| 100032 | Coalescing Filter Element                                    |
| 104202 | Polycarbonate bowl w/guard                                   |
| 104204 | Metal bowl w/ sight glass                                    |
| 104206 | Metal bowl   |

