



# 71-500 Series

## Bronze Ball Valve with Spring Return Handle

Threaded, 600 psig WOG, Cold Non-Shock. 150 psig Saturated Steam.

Vacuum Service to 29 inches Hg.

Federal Specification: WW-V-35C, Type: II, Composition: BZ Style: 3.

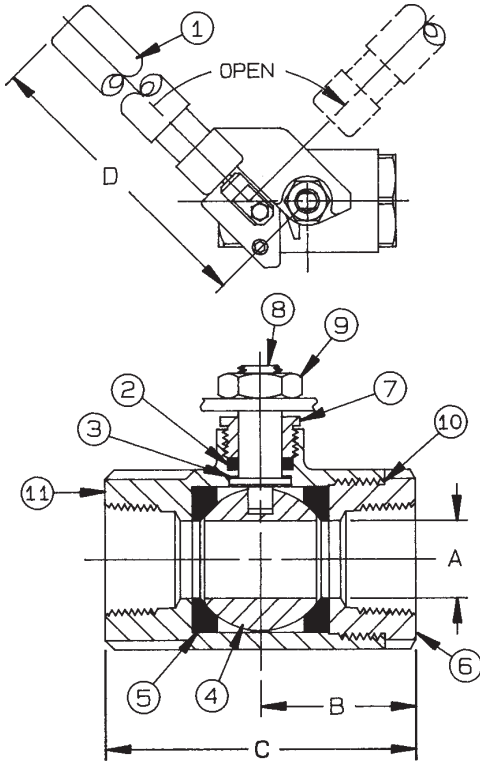
MSS SP-110; Ball Valves Threaded, Socket-Welding, Solder Joint, Grooved and Flared Ends.

### FEATURES

- Spring return to close (-01)
- Spring return to open (-08)
- All components of lever are SS
- Operating torque is approximately three times standard valve torque
- RPTFE seats and stuffing box ring
- Blow-out-proof stem design
- Adjustable packing gland
- Chromium plated ball

### STANDARD MATERIAL LIST

1. Handle	SS w/vinyl	6. Retainer	B16 (1/4" to 1")
2. Stem packing	Multifill PTFE	7. Gland nut	B584-C84400 (1-1/4" to 2")
3. Stem bearing	RPTFE	8. Stem	B16
4. Ball	B16, chrome plated	9. Lever nut	A276-316
5. Seat (2)	Multifill PTFE	10. Body seal	Steel, zinc plated
		11. Body	PTFE (1-1/4" to 2")
			B584-C84400



BRONZE BALL VALVE WITH  
SPRING RETURN HANDLE

NUMBER	SIZE	A	B	C	D	Wt.
71-501-01	1/4"	.43	1.12	2.25	7.00	1.47
71-502-01	3/8"	.50	1.12	2.25	7.00	1.45
71-503-01	1/2"	.50	1.12	2.25	7.00	1.35
71-504-01	3/4"	.68	1.50	3.00	7.00	2.33
71-505-01	1"	.87	1.68	3.37	7.00	2.59
71-506-01	1-1/4"	1.00	2.00	4.00	9.00	4.18
71-507-01	1-1/2"	1.25	2.18	4.37	9.00	5.31
71-508-01	2"	1.50	2.34	4.68	9.00	6.41

### VARIATIONS AVAILABLE:

71-540 Series (316 SS Ball & Stem)

71-590 Series (Pinned Retainer)

### OPTIONS AVAILABLE:

(SUFFIX)	OPTION	SIZES
-08-	90° Reversed Stem	1/4" to 2"
-14-	Side Vented Ball (Uni-Directional)	1/4" to 2"
-20-	Slot Vented Ball	1/4" to 2"
-21-	UHMWPE Seats (Non-PTFE)	1/4" to 2"
-24-	Graphite Stem Packing	1/4" to 2"
-35-	PTFE Trim	1/4" to 2"
-49-	Assembled Dry	1/4" to 2"
-57-	Oxygen Cleaned	1/4" to 2"
-P01-	BSPP (Parallel) Thread Connection	1/4" to 2"
-T01-	BSPT (Tapered) Thread Connection	1/4" to 2"

**For Pressure/Temperature Ratings,  
Refer to Page M-8, Graph No. 4**