



# 70-300 Series

## Single Union End Bronze Ball Valve

Threaded, Single Union End, 600 psig WOG, Cold Non-Shock.

150 psig Saturated Steam, Vacuum Service to 29 inches Hg.

Federal Specification: WW-V-35C, Type: II, Composition: BZ, Style: 3.

MSS SP-110; Ball Valves Threaded, Socket-Welding, Solder Joint, Grooved and Flared Ends.

### FEATURES

- Chromium plated ball
- RPTFE seats and stuffing box ring
- Fluorocarbon O-Ring sealed single union requires only light torque to seal
- Blow-out-proof stem design
- Adjustable packing gland

### STANDARD MATERIAL LIST

1. Lever and grip	Steel, zinc plated w/vinyl	8. Stem	B16
2. Stem packing	RPTFE	9. Lever nut	Steel, zinc plated
3. Stem bearing	RPTFE	10. Body seal (1-1/4" to 2")	PTFE
4. Ball	B16, chrome plated	11. Body	B584-C84400
5. Seat (2)	RPTFE	12. Tailpiece	B16 or B584-C84400
6. Retainer	B16 (1/4" to 1-1/2")	13. Union nut	B16 or B584-C84400
	B584-C84400 (2")	14. Union seal	Fluorocarbon
7. Gland nut	B16		

### VARIATIONS AVAILABLE:

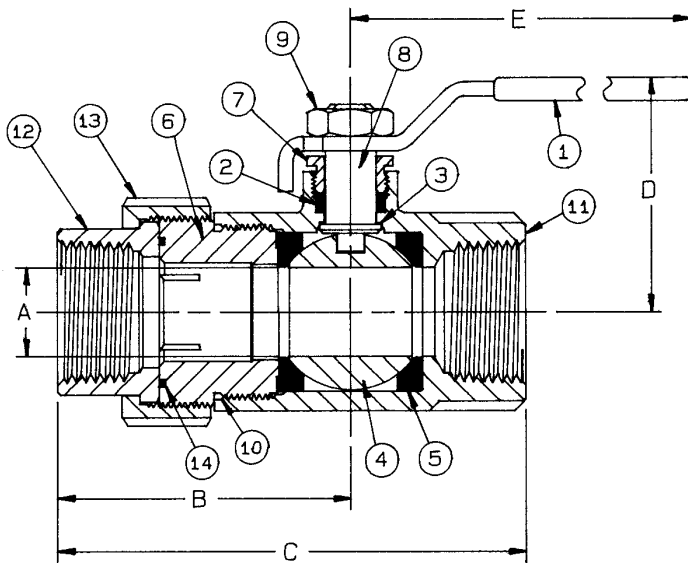
70-320 Series (Adjustable Stop Lever)

70-340 Series (316 SS Ball & Stem)

70-350 Series (Balancing Stop)

### OPTIONS AVAILABLE:

(SUFFIX)	OPTION	SIZES
-02-	Stem Grounded	1/4" to 2"
-03-	1-1/4" CS Stem Extension	1/4" to 2"
-04-	2-1/4" CS Stem Extension	1/4" to 2"
-05-	Plain Ball	1/4" to 2"
-07-	Steel Tee Handle	1/4" to 2"
-08-	90° Reversed Stem	1/4" to 2"
-10-	SS Lever & Nut	1/4" to 2"
-14-	Side Vented Ball (Uni-Directional)	1/4" to 2"
-15-	Wheel Handle, Steel	1/4" to 2"
-16-	Chain Lever - Vertical	3/4" to 2"
-17-	Rough Chrome Plated - Bronze Valves	1/4" to 2"
-18-	Plain Yellow Grip	1/4" to 2"
-20-	Slot Vented Ball (Bi-Directional) - Bronze Valves	1/4" to 2"
-21-	UHMWPE Seats (Non-PTFE)	1/4" to 2"
-24-	Graphite Packing	1/4" to 2"
-27-	SS Latch-Lock Lever & Nut	1/4" to 2"
-30-	Cam-Lock and Grounded	1/4" to 2"
-32-	SS Tee Handle & Nut	1/4" to 2"
-35-	VTFE Trim	1/4" to 2"
-45-	Less Lever & Nut	1/4" to 2"
-46-	Latch-Lock Lever - Lock in Closed Position Only	1/4" to 2"
-48-	SS Oval Handle (No Latch) & Nut	1/4" to 2"
-49-	Assembled Dry	1/4" to 2"
-50-	2-1/4" CS Locking Stem Extension	1/4" to 2"
-56-	Multifill Seats & Packing	1/4" to 2"
-57-	Oxygen Cleaned	1/4" to 2"
-58-	Chain Lever - Horizontal	3/4" to 2"
-60-	Grounded Ball & Stem	1/4" to 2"
-63-	NPT x Solder/Socket Weld	3/8" to 2"

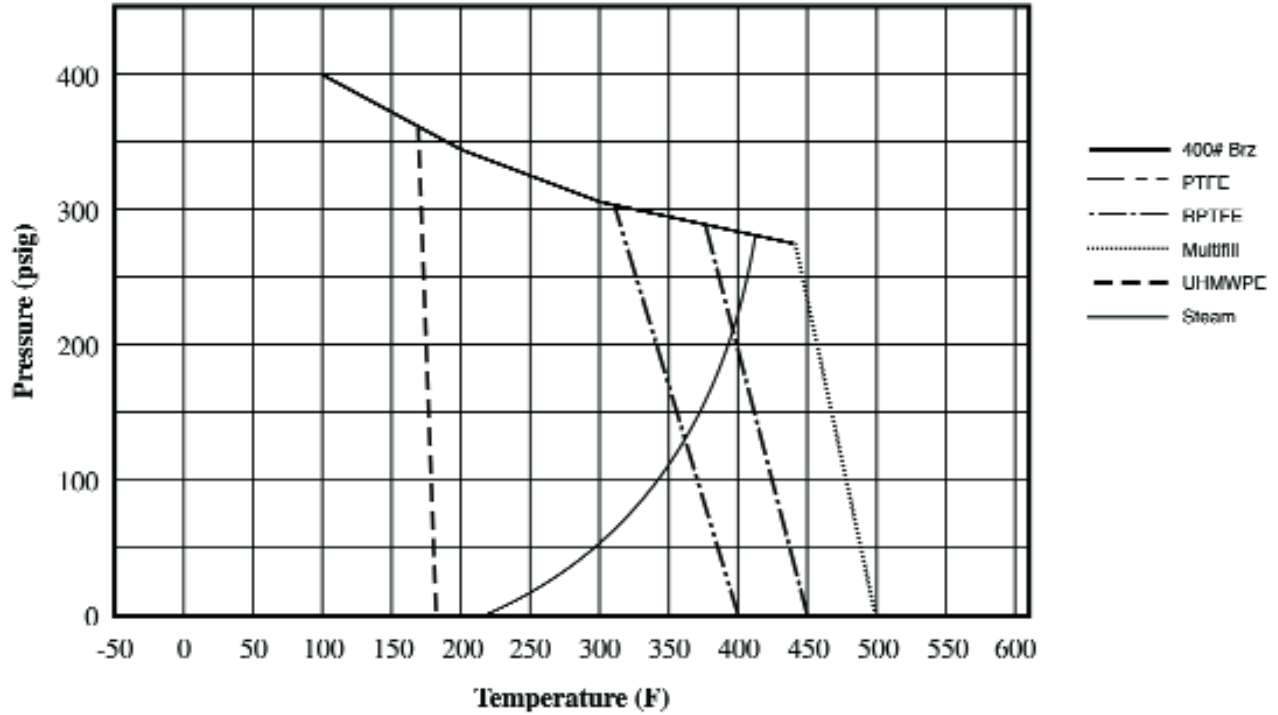


BRONZE UNION END BALL VALVE

NUMBER	SIZE	A	B	C	D	E	Wt.
70-301-01	1/4"	.37	1.90	2.93	1.75	3.87	.86
70-302-01	3/8"	.37	1.90	2.93	1.75	3.87	.84
70-303-01	1/2"	.50	2.00	3.09	1.75	3.87	.99
70-304-01	3/4"	.68	2.46	3.96	2.12	4.87	1.91
70-305-01	1"	.87	2.78	4.46	2.25	4.87	2.42
70-306-01	1-1/4"	1.00	2.68	4.68	2.62	5.50	4.27
70-307-01	1-1/2"	1.25	2.87	5.06	3.05	8.00	5.82
70-308-01	2"	1.50	3.25	5.59	3.24	8.00	8.55

**For Pressure/Temperature Ratings,  
Refer to Page M-8, Graph No. 4**

### 400# Bronze P-T Rating (Graph 3)



### 600# Bronze P-T Rating (Graph 4)

