



# Diaphragm-Type Diaphragm Seals

## Mini Diaphragm Seal

Type L990.TB

### Diaphragm Seals

#### Application

Process industry diaphragm seal to combine with Bourdon tube pressure gauges. Intended for corrosive, contaminated, hot or viscous pressure media.

#### Design

Upper and lower housing welded with integral diaphragm. It requires hydraulic fluid to transmit pressure to instrument.

#### Process Connection

1/4" or 1/2" NPT-female, other see options

#### Instrument Connection

1/4" or 1/2" NPT-female

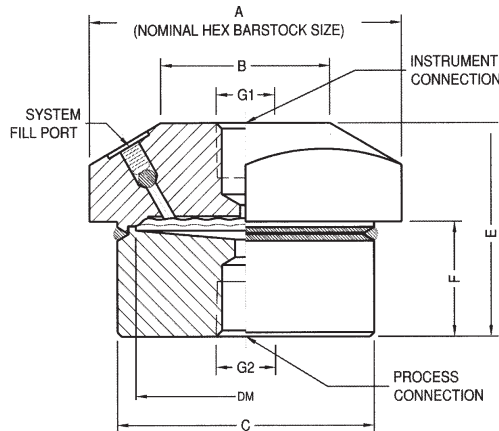
#### Suitable Pressure Ranges (MWP 2500PSI @250°F)

2 1/2" gauge: 15 PSI to 2500 PSI

4 or 4 1/2" gauge: 15 PSI to 2500 PSI

#### Available Options

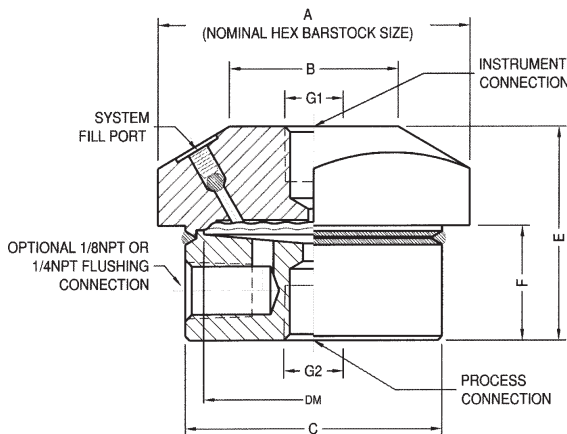
See Selection Guide (over)



G1: INSTRUMENT CONNECTION  
 G2: PROCESS CONNECTION  
 DM: EFFECTIVE DIAPHRAGM DIAMETER  
 ALL DIMENSIONS IN INCHES UNLESS OTHERWISE NOTED

G1	G2	A	B	C	DM	E	F	WEIGHT lbs.
1/4"NPT OR 1/2"NPT	1/4"NPT OR 1/2"NPT	2.50 ACROSS FLATS	1.56	2.38	2.1	1.94	1.04	1.4
1/4"NPT OR 1/2"NPT	3/4"NPT OR 1"NPT	2.50 ACROSS FLATS	1.56	2.38	2.1	2.24	1.34	1.5

DWG.#2089077-5



To determine the effects of temperature and response time in a specific application, contact the factory for an **Application Questionnaire**. The information provided will allow WIKA Technical Support to accurately model your application parameters using state-of-the-art computer simulation techniques.

**ACS L990.TB**  
 (ACS 99.01.M)

# Selection Guide – 990.TB

990.TB, 1/4X1/4F, SS, SS-0, SS

## Notes

1. Suitable pressure ranges 0-15 PSI to 0-2500 PSI.
2. Upper housing, lower housing and diaphragm must all be Monel®.
3. Available from stock with stainless steel lower housing only.

*Items in **bold** are available from stock (subject to prior sales). For optional items, consult factory for current lead-time.*

## Diaphragm Material

**SS = 316 stainless steel**  
**MO = Monel® 400** (See note 2)  
**HC = Hastelloy® C-276**  
HB = Hastelloy® B-2  
CA = Carpenter® 20 (See note 2)

## Flushing Connection

**0 = None**  
1 = 1/8" NPT female  
**2 = 1/4" NPT female (see note 3)**

## Lower Housing Material

**SS = 316 stainless steel**  
**MO = Monel® 400** (See note 2)  
HB = Hastelloy® B-2  
**HC = Hastelloy® C-276**  
CA = Carpenter® 20 (See note 2)

## Upper Housing Material

**SS = 316 stainless steel**  
MO = Monel® 400 (See note 2)  
HC = Hastelloy® C-276  
CA = Carpenter® 20 (See note 2)

## Process Connection

**1/4F = 1/4" NPT female**  
**1/2F = 1/2" NPT female**  
3/4F = 3/4" NPT female  
1.0F = 1" NPT female  
1/4M = 1/4" NPT male  
1/2M = 1/2" NPT male  
3/4M = 3/4" NPT male  
1.0M = 1" NPT male

## Instrument Connection

**1/4 = 1/4" NPT female**  
**1/2 = 1/2" NPT female**  
CPL = Capillary connection (to weld capillary directly to seal)

## Diaphragm Seal Design

990.TB = Large Diaphragm Design,  $d_{in}=2.1"$  (See note 1) MWP = 2500 PSI

Options not listed may be available, please consult factory.  
Fill Fluid & Mounting options: Please reference data sheet ACS 99.MO.

THE MEASURE OF  
**Total Performance™**

## Ordering Information:

State computer part number (if available) / type number / size / range / connection size and location / options required.

Specifications given in this price list represent the state of engineering at the time of printing.  
Modifications may take place and the specified materials may change without prior notice

03/07



**WIKAL Instrument Corporation**

1000 Wiegand Boulevard

Lawrenceville, Georgia 30043-5868

Tel: 770-513-8200 Fax: 770-338-5118

<http://www.wika.com> e-mail: [diaphragmseal@wika.com](mailto:diaphragmseal@wika.com)